

stored energy solutions for a demanding world

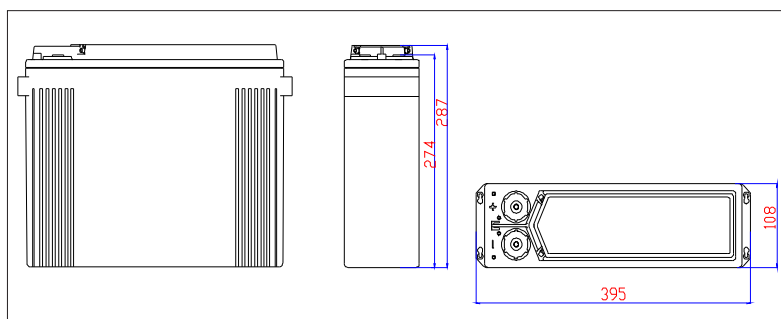
Model: **12UDS100**

UDS series

Narada UDS series is a battery designed as Ultra Duration Service battery, which is ideal for stable grid condition at varied temperature. It adopts Thin Plates Pure Lead (TPPL) technology and Continue Casting Punch Plates (CCPP) manufacture method and automatic assembling line. UDS series has extreme long standby service life, its design life is 16 years (20°C) .



Dimensions-mm



Specifications

Battery Model	12UDS100
Nominal Voltage	12V
Rated Capacity	100Ah (10 hour rate) to 1.80V/cell @25°C(77°F)
Typical Weight	31.2 kg
Internal Resistance	Approx 5.47mΩ
Temperature Ranges	Operation (maximum): -40°C to 60°C(-40°F to 140°F)
	Operation (recommended): 20°C to 40°C(68°F to 104°F)
	Storage: -20°C to 40°C(-4°F to 104°F)
Float Voltage	2.25V/cell@25°C(77°F)
Recommended Maximum Charging Current Limit	25 A
Equalize Voltage	2.35V/cell@25°C(77°F)
Shelf Life	2 years (20°C/68°F)
Terminal	M6 Female
Terminal Hardware Torque	8~10Nm
Container Material	ABS (V0 optional)

Constant Current Discharge Characteristics Units: Amperes (25°C, 77°F)

End voltage per cell	1HR	2HR	3HR	4HR	5HR	6HR	8HR	10HR	12HR	20HR	24HR
1.60V	70.4	40.1	28.4	22.2	18.4	15.7	12.7	10.4	8.82	5.68	4.85
1.67V	69.8	39.8	28.3	22.1	18.2	15.6	12.6	10.3	8.76	5.65	4.82
1.70V	69.4	39.6	28.1	21.9	18.1	15.5	12.6	10.3	8.71	5.62	4.82
1.75V	68.5	39.2	27.8	21.7	17.9	15.3	12.5	10.2	8.66	5.61	4.81
1.80V	66.9	38.4	27.3	21.4	17.7	15.1	12.2	10.1	8.61	5.57	4.80
1.83V	65.1	37.7	26.9	21.1	17.5	15.0	12.1	9.95	8.52	5.56	4.79
1.85V	63.7	37.1	26.6	20.9	17.3	14.8	12.0	9.85	8.42	5.49	4.72

Discharge Data with Constant Power Units: Watts per cell (25°C, 77°F)

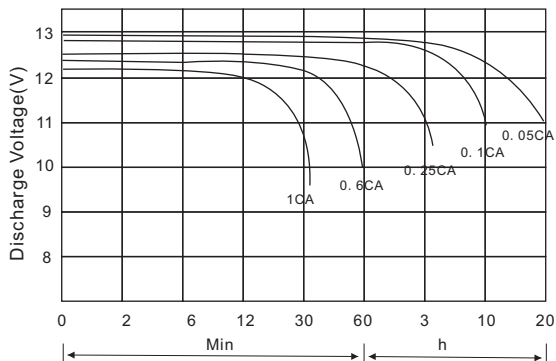
End voltage per cell	1HR	2HR	3HR	4HR	5HR	6HR	8HR	10HR	12HR	20HR	24HR
1.60V	139	80.3	57.3	44.8	37.1	31.7	24.6	20.9	17.9	11.6	9.89
1.67V	138	79.8	57.0	44.6	36.8	31.5	24.4	20.7	17.7	11.4	9.70
1.70V	138	79.6	56.9	44.5	36.8	31.4	24.4	20.7	17.7	11.3	9.63
1.75V	136	79.0	56.5	44.3	36.6	31.2	24.2	20.5	17.5	11.1	9.43
1.80V	133	77.8	55.9	43.8	36.2	30.9	24.0	20.3	17.3	11.0	9.26
1.83V	130	76.7	55.3	43.4	35.9	30.7	23.8	20.2	17.1	10.8	9.14
1.85V	127	75.5	54.4	42.8	35.4	30.2	23.4	19.8	16.8	10.6	8.89

stored energy solutions for a demanding world

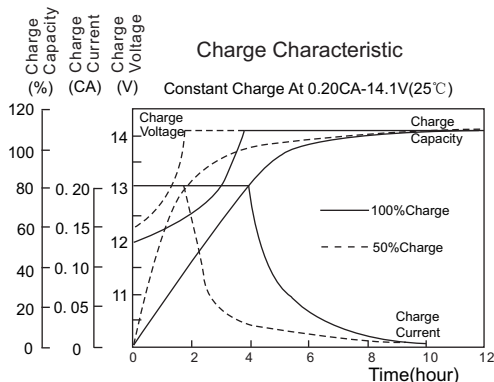
Model: **12UDS100**

UDS series

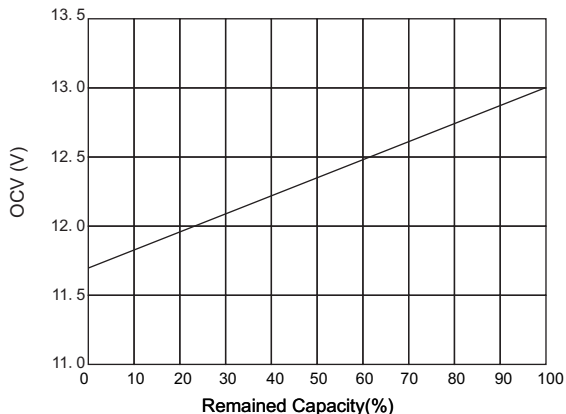
Terminal Voltage(V) Vs. Discharge Time (25°C, 77°F)



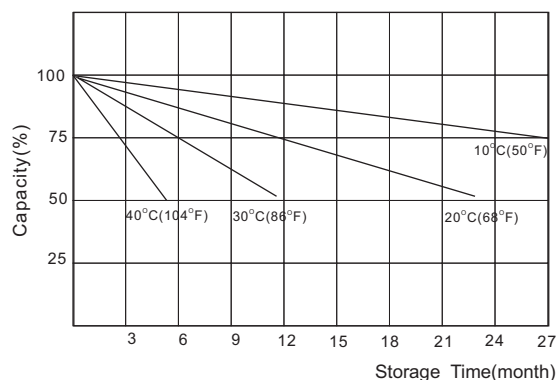
Battery Voltage Vs. Charge Time



Relationship of OCV Vs. State of Charge



Capacity Retention Characteristic



Charging Procedures

Application	Charge Voltage (V/Cell)			Max. Charge Current
	Temperature	Set Point	Allowable Range	
Cycle	25°C	2.35	2.35~2.40	0.25C
Standby	25°C	2.25	2.23~2.27	

Discharge Current VS. Discharge Voltage

Final Discharge Voltage V/Cell	1.80	1.70	1.55	1.30
Discharge Current (A)	0.2C ≥ (A)	0.2C < (A) < 0.5C	0.5C < (A) < 1.0C	(A) > 1.0C

NARADA POWER SOURCE CO.,LTD.
 Building A, No.822 Wen'er West Road, Hangzhou, China
 Tel: +86-571-56975980 Fax: +86-571-56975955
 Website: www.naradapower.com E-mail: intl@narada.biz

NARADA ASIA PACIFIC PTE. LTD.
 Block 9 Khaki Bukit Road 1 #02-10 Eunos Technolink,
 Singapore 415938
 Tel: +65-6848 1191 Fax: +65-6749 3498
 Website: www.narada-ap.com Email: sales@narada-ap.com

NARADA EUROPE (UK) LIMITED
 Spectrum House, Dunstable Road, Redbourn,
 St. Albans, Herts AL3 7PR
 Tel: +44 (0)845 371 7095 Fax: +44 (0)845 612 2031
 E-mail: sales@naradaeurope.com



TEMPEL GROUP ARGENTINA
www.tempelgroup.com
baires@tempelgroup.com
 Tel.+54 11 4897-7184/7178

TEMPEL GROUP en el mundo
 BUENO AIRES · MADRID · VALENCIA · BILBAO · SEVILLA ·
 LISBOA · PORTO · LIMA · SÃO PAULO · SANTIAGO DE CHILE · BOGOTÁ ·
 CIUDAD DE MÉXICO · CIUDAD DE PANAMÁ · MONTEVIDEO · QUITO



tempel group