

stored energy solutions for a demanding world

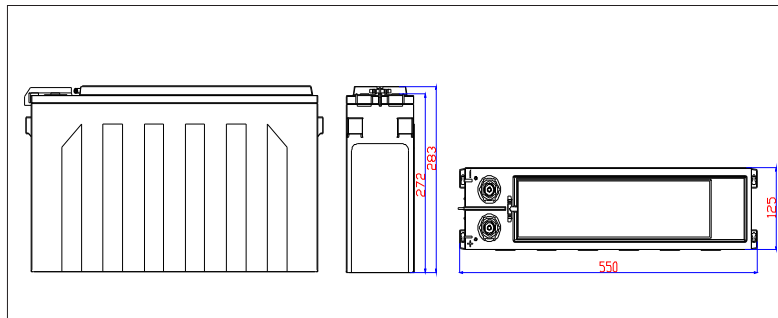
Model: **12UDS170**

UDS series

Narada UDS series is a battery designed as Ultra Duration Service battery, which is ideal for stable grid condition at varied temperature. It adopts Thin Plates Pure Lead (TPPL) technology and Continue Casting Punch Plates (CCPP) manufacture method and automatic assembling line. UDS series has extreme long standby service life, its design life is 16 years (20°C) .



Dimensions-mm



Specifications

Battery Model	12UDS170
Nominal Voltage	12V
Rated Capacity	170Ah (10 hour rate) to 1.80V/cell @25°C(77°F)
Typical Weight	51.8 kg
Internal Resistance	Approx 4.60mΩ
Temperature Ranges	Operation (maximum): -40°C to 60°C(-40°F to 140°F)
	Operation (recommended): 20°C to 40°C(68°F to 104°F)
	Storage: -20°C to 40°C(-4°F to 104°F)
Float Voltage	2.25V/cell@25°C(77°F)
Recommended Maximum Charging Current Limit	42.5 A
Equalize Voltage	2.35V/cell@25°C(77°F)
Shelf Life	2 years (20°C/68°F)
Terminal	M6 Female
Terminal Hardware Torque	8~10Nm
Container Material	ABS (V0 optional)

Constant Current Discharge Characteristics Units: Amperes (25°C, 77°F)

End voltage per cell	1HR	2HR	3HR	4HR	5HR	6HR	8HR	10HR	12HR	20HR	24HR
1.60V	114	67.1	49.0	38.9	32.4	27.7	21.8	17.9	15.4	9.79	8.40
1.67V	112	66.4	48.4	38.4	32.0	27.4	21.6	17.7	15.2	9.41	7.96
1.70V	111	66.0	48.1	38.1	31.8	27.2	21.5	17.6	15.1	9.36	7.93
1.75V	109	65.2	47.7	37.8	31.4	26.9	21.3	17.5	15.0	9.35	7.87
1.80V	107	65.1	47.4	37.6	31.3	26.8	21.1	17.1	14.6	9.19	7.68
1.83V	103	63.2	46.6	37.0	30.8	26.3	20.9	16.9	14.4	8.88	7.43
1.85V	102	62.8	46.0	36.7	30.6	26.2	20.4	16.5	13.8	8.19	6.73

Discharge Data with Constant Power Units: Watts per cell (25°C, 77°F)

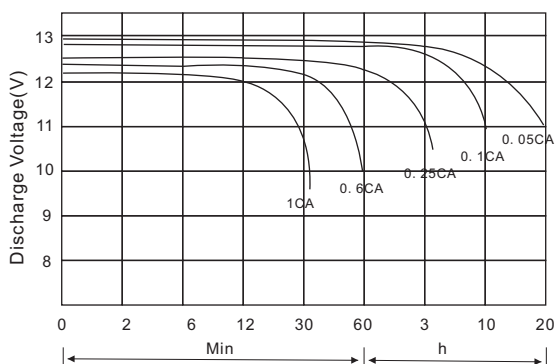
End voltage per cell	1HR	2HR	3HR	4HR	5HR	6HR	8HR	10HR	12HR	20HR	24HR
1.60V	223	136	97.4	77.1	63.8	54.7	42.8	35.4	30.3	19.5	16.6
1.67V	221	134	96.5	76.4	63.5	54.5	42.6	35.2	30.0	19.3	16.4
1.70V	220	133	96.4	76.3	63.4	54.4	42.5	35.1	29.9	19.2	16.3
1.75V	217	132	95.9	76.0	63.1	54.2	42.2	34.9	29.8	19.0	16.2
1.80V	213	131	95.1	75.3	62.6	53.8	41.8	33.8	28.2	17.2	14.4
1.83V	207	130	94.6	74.9	62.1	53.1	41.1	33.6	28.1	16.6	13.6
1.85V	204	129	94.3	74.8	61.9	52.7	40.3	32.5	27.0	15.7	12.8

stored energy solutions for a demanding world

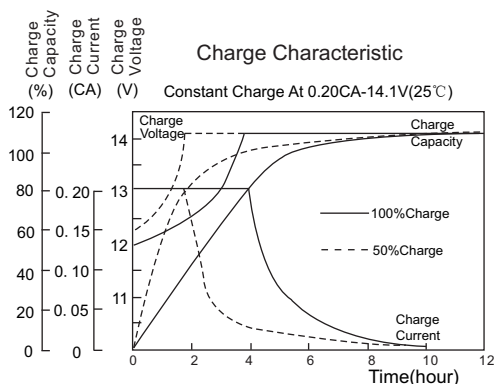
Model: **12UDS170**

UDS series

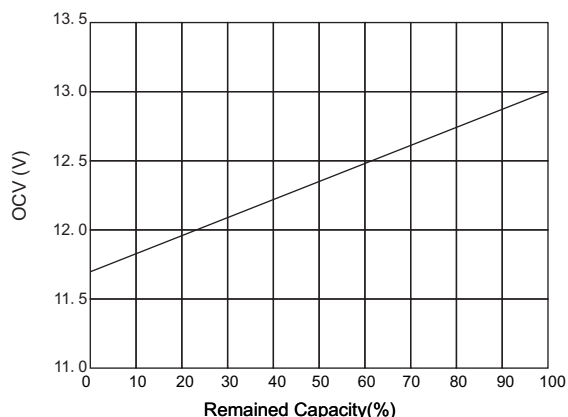
Terminal Voltage(V) Vs. Discharge Time (25°C, 77°F)



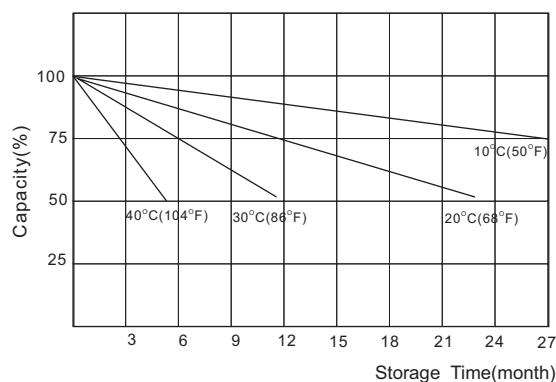
Battery Voltage Vs. Charge Time



Relationship of OCV Vs. State of Charge



Capacity Retention Characteristic



Charging Procedures

Application	Charge Voltage (V/Cell)			Max. Charge Current
	Temperature	Set Point	Allowable Range	
Cycle	25°C	2.35	2.35~2.40	0.25C
Standby	25°C	2.25	2.23~2.27	

Discharge Current VS. Discharge Voltage

Final Discharge Voltage V/Cell	1.80	1.70	1.55	1.30
Discharge Current (A)	0.2C ≥ (A)	0.2C < (A) < 0.5C	0.5C < (A) < 1.0C	(A) > 1.0C

NARADA POWER SOURCE CO.,LTD.
 Building A, No.822 Wen'er West Road, Hangzhou, China
 Tel: +86-571-56975980 Fax: +86-571-56975955
 Website: www.naradapower.com E-mail: intl@narada.biz

NARADA ASIA PACIFIC PTE. LTD.
 Block 9 Khaki Bukit Road 1 #02-10 Eunos Technolink,
 Singapore 415938
 Tel: +65-6848 1191 Fax: +65-6749 3498
 Website: www.narada-ap.com Email: sales@narada-ap.com

NARADA EUROPE (UK) LIMITED
 Spectrum House, Dunstable Road, Redbourn,
 St. Albans, Herts AL3 7PR
 Tel: +44 (0)845 371 7095 Fax: +44 (0)845 612 2031
 E-mail: sales@naradaeurope.com



TEMPEL GROUP ARGENTINA
www.tempelgroup.com
baires@tempelgroup.com
 Tel.+54 11 4897-7184/7178

TEMPEL GROUP en el mundo
 BUENO AIRES · MADRID · VALENCIA · BILBAO · SEVILLA ·
 LISBOA · PORTO · LIMA · SÃO PAULO · SANTIAGO DE CHILE · BOGOTÁ ·
 CIUDAD DE MÉXICO · CIUDAD DE PANAMÁ · MONTEVIDEO · QUITO

