

stored energy solutions for a demanding world

Narada

Model: 48NPFC80 (19")

NPFC Series

Narada NPFC series is a complete range of 48V LiFePO₄ (Lithium Iron phosphate) battery products, for a wide variety of applications, such as telecom base station, UPS, renewable energy system, etc., with advanced life, standard size, light weight and strong environmental adaptability.

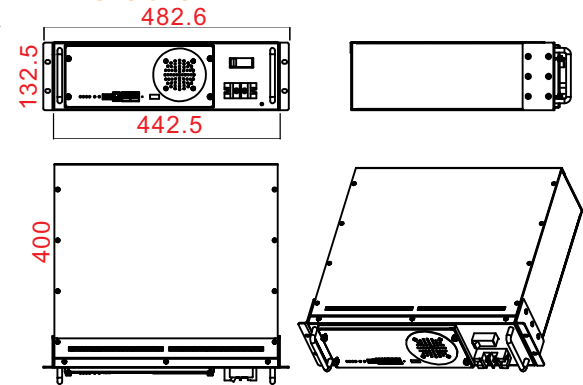


Battery Management System(BMS)

For standard Narada lithium battery module, BMS is applied to monitor voltage, current, temperature of cells and module, take protections against over-charge, over-discharge, over-current, over-temperature, under-temperature and short circuit, etc., and provide cell balancing and current limitation during charging process to ensure a reliable safety and excellent performance.

Meantime, Narada supply customized upper computer software for BMS communication via RS232 or RS485 to set parameters or read monitoring data.

Dimensions-mm



Specifications

Battery Specification		
Rated Voltage	48V	
Rated Capacity	80Ah (0.5C to 40.5V @ 25 °C)	
Discharge Current (Max.)	80A	
Discharge End Voltage	40.5V	
Charge Current (Recomm.)	16A	
Charge Current (Max.)	80A	
Charge Voltage	54±0.5V	
Dimensions	Width	442.5 mm
	Depth	400 mm
	Height	132.5 mm(3U)
Typical Weight	39.0Kg	
Layout of Front Panel		
Status Indicators	SOC / ALM / RUN	
Communication Ports	RS232 / RS485*2	
Communication in Parallel	8 modules in maximum	
Reset Key	Available	
Terminal Size	M6 (Screw size)	
LCD Screen	Optional	
Breaker	Available	
Dry Contact	NC	
Operation Environments		
Temperature Range	Discharge	-20 to + 60 °C
	Charge	0 to + 60 °C
	Storage	0 to + 40 °C
Temperature Recommendation	Discharge	+15 to + 35 °C
	Charge	+15 to + 35 °C
	Storage	+15 to + 30 °C
Humidity	5% to 95%	

stored energy solutions for a demanding world



Model: 48NPFC80(19")

NPFC Series

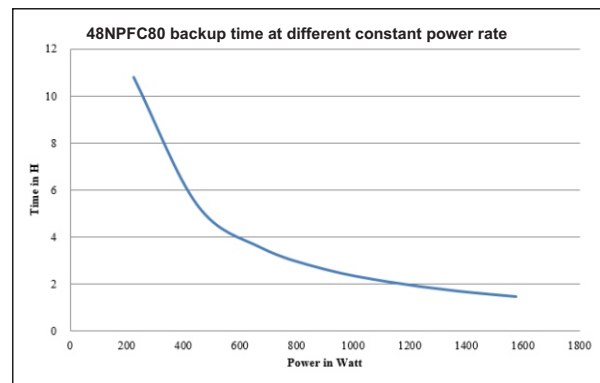
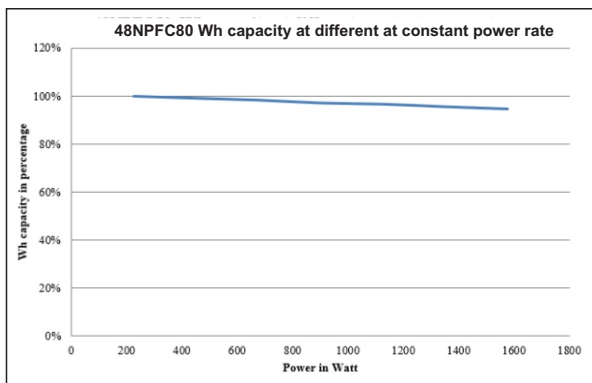
Constant Current Discharge Characteristics (25°C,77°F)

End voltage	Current(A) Time	0.1C	0.15C	0.2C	0.25C	0.3C	0.4C	0.5C	0.6C	0.8C
		Hours								
46.5		9.59	6.34	4.71	3.70	3.02	2.21	1.70	1.34	0.87
45.0		9.78	6.49	4.85	3.87	3.20	2.39	1.89	1.55	1.13
43.5		9.91	6.57	4.92	3.92	3.26	2.44	1.95	1.61	1.19
42.0		9.99	6.64	4.97	3.96	3.29	2.47	1.97	1.64	1.22
40.5		10.05	6.68	5.00	3.99	3.32	2.49	1.98	1.66	1.24
39.0		10.08	6.71	5.03	4.01	3.34	2.50	2.00	1.66	1.24

Discharge Data with Constant Power (25°C,77°F)

End voltage	Power Time	358W	715W	1080W	1430W	1800W	2145W	2500W
		Hours						
46.50		10.46	5.06	3.21	2.34	1.76	1.40	1.13
45.00		10.65	5.21	3.39	2.52	1.97	1.62	1.35
43.50		10.77	5.28	3.45	2.57	2.03	1.68	1.43
42.00		10.85	5.32	3.48	2.60	2.05	1.71	1.45
40.50		10.90	5.35	3.50	2.61	2.07	1.71	1.46
39.00		10.93	5.37	3.51	2.63	2.08	1.73	1.47

Performance Curves



NARADA POWER SOURCE CO.,LTD.
 Building A, No.822 Wen'er West Road, Hangzhou, Zhejiang, China
 Tel: +86-571-56975980 Fax: +86-571-56975955
 Website: en.naradapower.com E-mail: intl@narada.biz

NARADA ASIA PACIFIC PTE.LTD.
 65 Ubi Crescent #07-05 HOLA centre, Singapore
 Tel: +65-6848 1191 Fax: +65-6749 3498
 E-mail: sales@narada.com.sg

NARADA EUROPE (UK) LIMITED
 Spectrum House, Dunstable Road, Redbourn,
 St. Albans, Herts AL3 7PR
 Tel: +44 (0)845 371 7095 Fax: +44 (0)845 612 2031
 E-mail: sales@naradaeurope.com



48NPFC80(19")-2.0-EN April 2017 subject to technical modification. E. & O. E.

TEMPEL GROUP ARGENTINA
 www.tempelgroup.com
 baires@tempelgroup.com
 Tel.+54 11 4897-7184/7178

TEMPEL GROUP en el mundo
 BUENO AIRES • MADRID • VALENCIA • BILBAO • SEVILLA •
 LISBOA • PORTO • LIMA • SÃO PAULO • SANTIAGO DE CHILE • BOGOTÁ •
 CIUDAD DE MÉXICO • CIUDAD DE PANAMÁ • MONTEVIDEO • QUITO

