

# W28FA3S-CHA2

## 28.6" Bar Type Panel PC



### KEY FEATURES

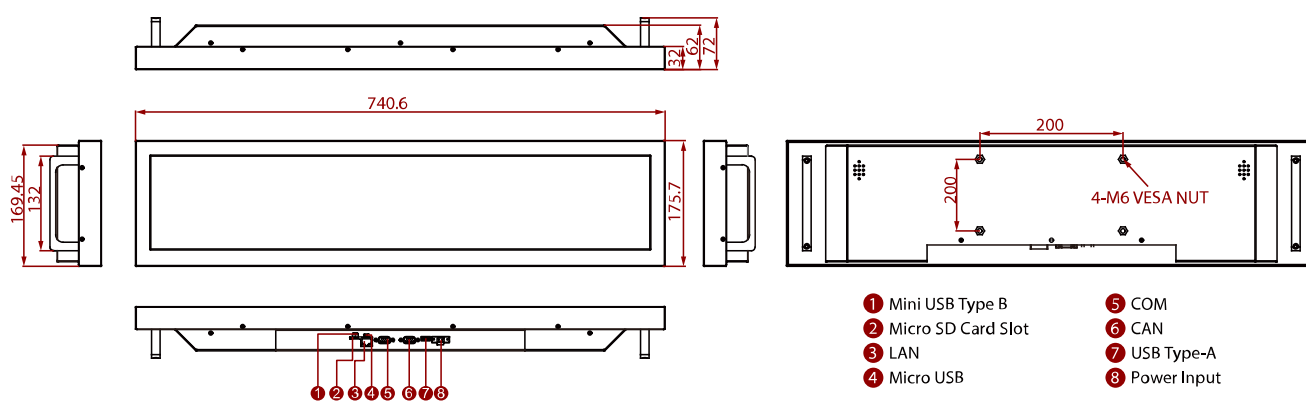
- 28.6" 1920 x 540 Resolution with high brightness and wide aspect ratio screen
- NXP A9 i.MX6 Dual Core 1GHz
- Fanless cooling system and Ultra-low power consumption
- Support PoE function
- 1 x USB; 1 x RS232 /422/485; 1 x CAN BUS; 1 x Micro SD Slot



### SPECIFICATIONS

Display			
Resolution	1920x0540	Size	28.6 inches
Contrast Ratio	1000:1	Panel Brightness	1000 nits
View Angles	89,89,89,89	Touch / Glass	Protection Glass
System Specification			
Processor	NXP i.MX6 Dual Core, 1.0GHz	Memory	1GB 2GB (Optional)
Storage	Onboard 16GB eMMC Onboard 32GB eMMC (Optional)	Operating System	Linux Ubuntu 18.04 (Optional) Android 6.0 (Optional) Debian 7.0 (Optional) Linux 4.1.15 QT 5.5 (Optional)
Environment			
Operating Humidity	10% to 90% (non-condensing)	Operating Temperature	0~50°C
Storage Temperature	-10~60°C		
Certification			
Certification	CE, FCC		
Mechanical			
Dimension	740.6 x 175.7 x 72 mm	Mounting	VESA Mount
Enclosure	Metal	Cooling System	Fanless Design
IO Ports			
USB Port	1 X USB 2.0 1 x USB 3.0	Serial Port	1 x RS232/422/485
Video	1 x HDMI (Optional)	LAN	2 x RJ 45-10/100/1000 Mbps
Accessory			
Accessory	User Manual Driver CD1 Power Cord AC Adapter 2 pin Terminal Block VESA Mount Screws USB to Micro USB Cable		
Power			

**DIMENSIONS** UNIT:MM



**NOTE**

1. This is a simplified drawing and some components are not marked in detail.
2. Please contact our sales representative if you need further product information.
3. The product shown in this datasheet is a standard model. For diagrams that contain customized or optional I/O, please contact the Winmate Sales Team for more information.

