

KBLI121000 M8

12V 100Ah



*illustrative image

Features Of LiFePO4 Battery

- Ultra light weight
- High integration, small size, high energy density
- Eco-friendly clean energy
- Long lifespan sustainable
- High efficiency

Application Scenarios

- Electric vehicles, Electric mobility
- Solar/wind energy storage system
- Telecommunication
- Medical equipment
- Lighting

Specifications

Nominal Voltage	12.8V	
Working Voltage	10-14.6V	
Nominal Capacity	12.8V	
Working Voltage	10-14.6V	
Nominal Capacity	100Ah	
Energy	1280Wh	
Positive Material	LFP	
Approx. Weight	10.5kg	
Dimension	Length	330mm
	Width	173mm
	Container Height	212mm
Terminal Type	M8	
Container Material	ABS	
IP Rating	IP65	
Temp. Range	Charge	0-55°C
	Discharge	-20~ 60°C
	storage	-20~ 60°C
Recom. Temp. Range	Charge	15-35°C
	Discharge	15-35°C
	storage	-10~ 35°C
Cycle Number	5000 cycles	
Self Discharge	~3% Per Month	
Max.number of series and parallel connections	4S or 4P	

Application Scenarios

- Electric vehicles, Electric mobility
- Solar/wind energy storage system
- Telecommunication
- Medical equipment
- Lighting

Charge

Max Continuous Charge Current	100.0A
Recom. Charge Current	20.0A
Upper Limit Voltage	14.6V

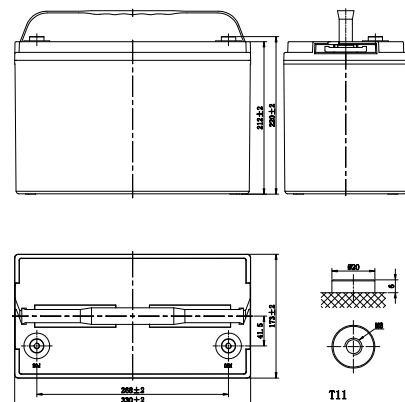
DisCharge

Max Continuous Discharge Current	100.0A
Recom. Charge Current	50.0A
Lower Limit Voltage	10V

Additional Function

Bluetooth

Physical Dimension-mm



Contacto:
 baires@tempelgroup.com
 www.tempelgrouplatam.com
 Tel. +54 9 11 3298-4261

TEMPEL GROUP en el mundo
 BARCELONA - BUENOS AIRES - MADRID - VALENCIA - BILBAO -
 SEVILLA - LISBOA - PORTO - LIMA - SÃO PAULO - SANTIAGO DE CHILE -
 BOGOTÁ - CIUDAD DE MÉXICO - CIUDAD DE PANAMÁ - MONTEVIDEO -
 QUITO - HOUSTON - ROMA - ASUNCIÓN

