

# KBLI241000

## 25.6V 100Ah

# Kaise®



### Features Of LiFePO4 Battery

- Ultra light weight
- High integration, small size, high energy density
- Eco-friendly clean energy
- Long lifespan sustainable
- High efficiency

### Application Scenarios

- Electric vehicles, Electric mobility
- Solar/wind energy storage system
- Telecommunication
- Medical equipment
- Lighting

### Specifications

Nominal Voltage	25.6V
Working Voltage	20-29.2V
Nominal Capacity	100.0Ah
Energy	2560Wh
Self Discharge	~3% Per Month
IP Grade	IP65
Positive Material	Lithium ironphosphate
Cell type	Prismatic
	100Ah,1P8S
Combination method	
Weight	ABOUT 20.6KG
Dimension LxWxH	L522W240H218mm
Fixed size	NO
Terminal Type	M8
Shell type	ABS
Handle	Yes
Storage Temp. short term	0-45°C
Storage Temp. short term	0-30°C
Cycle Life	5000 cycles
Heating function	No
Cooling type	No
Insulation	20M2°/1000VDHC, @25±5°C, RH50%

Up to 4P in parallel

### Charging

Recom. Charging Current	50.0A
Upper limit voltage	29.2V
Charging Temp. Range	0-55°C

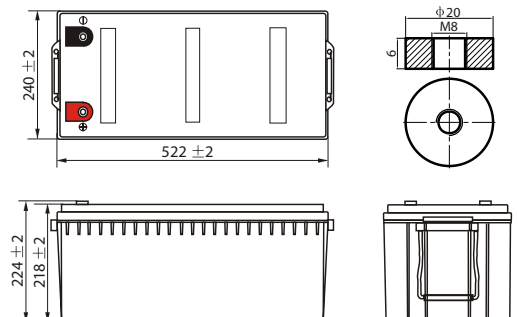
### DisCharging

Max Continuous Discharge	100.0A
Max Discharge current	150A@1s
Lower Limit Voltage	20.0V
BMS Voltage Recovery	22.4V
Discharge Temp. Range	-20-60°C

### Function (optional)

(CAN/RS485), Bluetooth,Screen, Charger

### Physical Dimension-mm



Contacto:  
baires@tempelgroup.com  
www.tempelgroupplatam.com  
Tel. +54 9 11 3298-4261

TEMPEL GROUP en el mundo  
BARCELONA - BUENOS AIRES - MADRID - VALENCIA - BILBAO -  
SEVILLA - LISBOA - PORTO - LIMA - SÃO PAULO - SANTIAGO DE CHILE -  
BOGOTÁ - CIUDAD DE MÉXICO - CIUDAD DE PANAMÁ - MONTEVIDEO -  
QUITO - HOUSTON - ROMA - ASUNCIÓN



**tempel**  
group